

8LE-MX2

8" APERTURE DIRECT LED RECESSED DOWNLIGHT

Clarus MX2 series LED products feature VERO LED Modules by Bridgelux.



PERFORMANCE CHARACTERISTICS

DISTRIBUTION: 100% Down / 0% Up
 FIXTURE EFFICIENCY: N=90%, M=90% W=89%

MODEL	LUMENS	WATTS	LM/W
8LE-MX2-120-4000K	12160	111.7	109
8LE-MX2-095-4000K	9410	81.1	116
8LE-MX2-075-4000K	7840	65.6	120
8LE-MX2-065-4000K	6510	51.7	126

NOTE: WATTAGE IS LED WATTAGE ONLY FOR COMPARISON PURPOSES. FOR FIXTURE WATTAGE ADD 10% TO ACCOUNT FOR DRIVER LOSS.

Clarus MX2 combines high lumen output with low energy usage and small aperture.

Features include:

Lumen output comparable to high wattage CFL and HID

Output up to 12,160 lumens

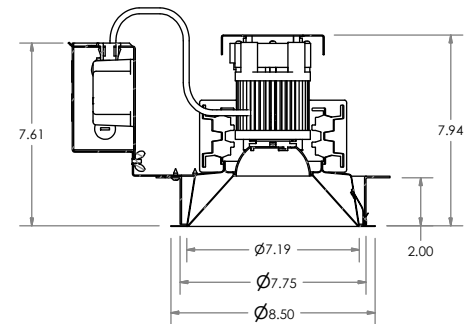
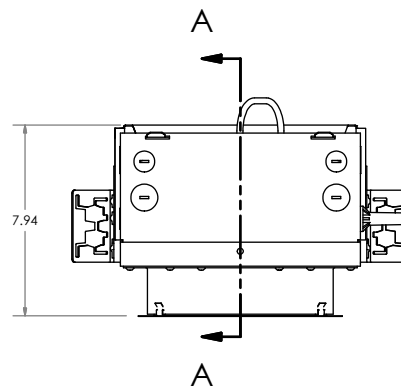
CRI values >80CRI

Multiple output color temperature options

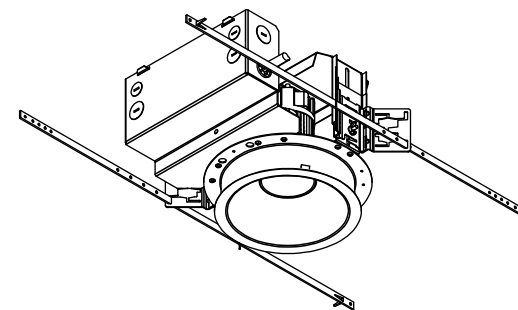
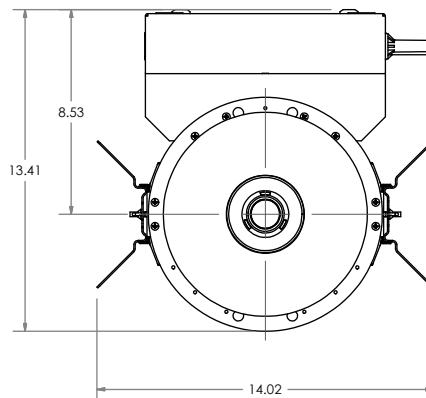
Multiple reflector color options

Dimming option down to as low as 1% (9500lm only)

Cooliance Active Cooling standard on all models



SECTION A-A

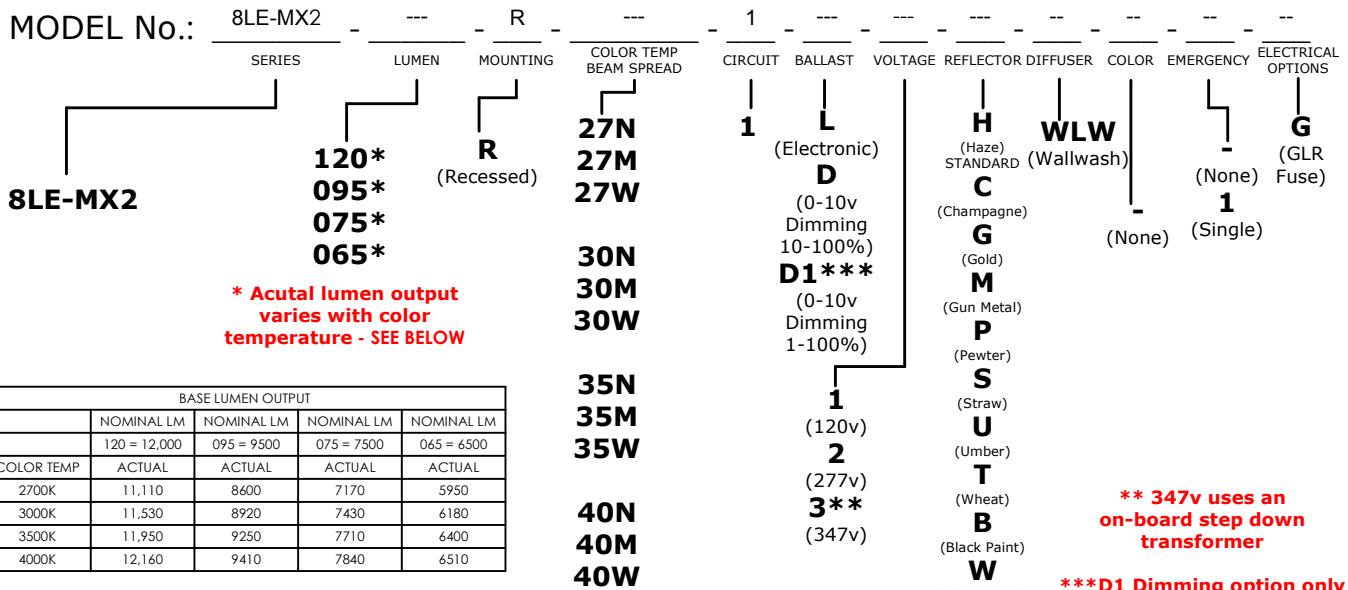


Fixture configuration and options chosen may have an affect on fixture dimensions. Consult factory if installing in a restricted space.



100 GILBANE STREET - WARWICK, RI - 02888
 TEL: (401)738-7266 FAX: (401)738-0618
 www.PMCLIGHTING.com

FIXTURE TYPE: -
 MODEL NO.: -
 PROJECT: -
 NOTES:



*** Actual lumen output varies with color temperature - SEE BELOW**

BASE LUMEN OUTPUT				
	NOMINAL LM	NOMINAL LM	NOMINAL LM	NOMINAL LM
	120 = 12,000	095 = 9500	075 = 7500	065 = 6500
COLOR TEMP	ACTUAL	ACTUAL	ACTUAL	ACTUAL
2700K	11,110	8600	7170	5950
3000K	11,530	8920	7430	6180
3500K	11,950	9250	7710	6400
4000K	12,160	9410	7840	6510

(1ST 2 DIGITS = COLOR TEMP)
ie. 27 = 2700K
(3RD DIGIT = BEAM SPREAD)
N = NARROW BEAM
M = MEDIUM BEAM
W = WIDE BEAM

SOME OPTIONS MAY NOT BE AVAILABLE IN COMBINATIONS - ALL FIXTURE COFIGURATIONS SUBJECT TO FINAL FACTORY APPROVAL

PRODUCT SPECIFICATION DATA:

Clarus MX2 combines high lumen output with low energy use.

Up to 12,160lm output, consistent color temperatures, 80+ CRI standard, Cooliance Coolstrate® active cooling system standard on all models for long LED life in higher ambient temperatures.

2700k, 3000k, 3500k and 4000k color temperature options available. Bridgelux® Vero Series LED Modules.

Narrow, Medium and Wide beam spread options available via interchangeable upper optic reflector.

Low iridescent Alzak® reflector. Trim flange to match reflector finish is standard. Matte white trim or other colors available - consult factory.

Capable of mounting in a 2" thick ceiling.

Integral heat sink (forged aluminum pin-fin) provides 70% lumen maintenance at 50,000 hours.

18 ga galvanized junction box suitable for through wiring (4in/4out) #12 AWG.

Fixture should be installed in applications where ambient temperatures do not exceed 50°C.

Factory wired for ease in installation.

LED Driver and LED Module accessible from below ceiling for ease in servicing.

Fixtures are ETL/cETL listed for damp location, and have standard electronic drivers.

Each fixture is tested at the factory before shipment.

Tested using absolute photometry as specified in LM79: IESNA Approved Method for the Electrical and Photometric Measurements of Solid-State Lighting Products.

CLARUS SERIES LED FIXTURES CARRY A LIMITED 5 YEAR WARRANTY.